



Technical Data Sheet

Lync Storage Tank

Lync Storage Tanks are cost-effective, corrosion-resistant and engineered to last. With tanks fabricated from duplex stainless steel and with an ultra-durable RHINO outer coating, Lync tanks are designed exclusively for the rigors of outdoor installation with Aegis heat pumps.

Engineered to Last with Rhino

The 1/8-inch thick Rhino polymer coating provides a durable, monolithic and protective barrier against the harshest elements of an outdoor installation. The coating is not only waterproof but provides impact and abrasion resistance in addition to resistance to UV light.

Unmatched Corrosion Resistance with Duplex Stainless Steel

Our revolutionary, engineered design combines duplex stainless-steel alloy with highly specialized and proprietary manufacturing process. The result is a long-lasting, reliable water heater with superior corrosion-resistance. The pickled and passivated duplex stainless steel design holds up to high storage temperatures better than standard glass-lined tanks.

Save Money, Save Energy, Save the Planet

To minimize heat loss through tank walls in cold outside environments, the Lync storage tanks are wrapped with R-22 fiberglass insulation; 75% higher than the standard ASHRAE requirement of R 12.5 for indoor tanks. The insulation further improves energy and acoustic efficiency, while providing high resistance to fire and mildew.

Seismic and Wind Restraints

Factory-installed base head ring and clip systems provide sturdy mounting to accommodate installation in seismic or high wind locations.

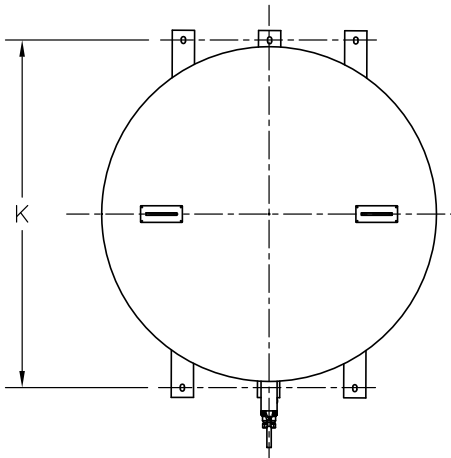
Warranty

Superior materials of construction and advanced manufacturing methods enable us to provide an industry leading 25-year tank corrosion warranty.



Dimensions

Model	Storage gal.	Dimensions in inches										Water Inlet, Outlet, Return (NPT)	Approx. Shipping weight (lb)
		A	B	C	D	E	F	G	H	J	K		
L250A-TRO	250	50	70	17.25	40	61.50	31	56	29.25	56	52.50	2"	
L500A-TRO	500	50.50	82.50	17.25	40	61.50	31	66	38.75	66	52.50	2-1/2"	1600
L750A-TRO	750	71	90	23	57.75	82.50	40	78	45.50	77	74.50	2-1/2"	
L1000A-TRO	1000	81.25	89.50	24.25	54.75	81.25	47	88	55	87	84.50	2-1/2"	



1. Description Model No. LXXXA-TRO (EX. 500 gallon would be L500A-TRO)

2. Additional Dimensions:

Jacket O.D. = +11 in to tank O.D.

Base channels: +6 in to jacket (Pan) O.D. = 3 in each side

Front nipples: stick out ~6.5 in past jacket

Lifting and seismic lugs: ~+4 in above top pan

Jacket Penetrations:

I/O/R, drain, relief, 2 thermowells, ASME data plate (accessible)

50 psi (225) all on front tank

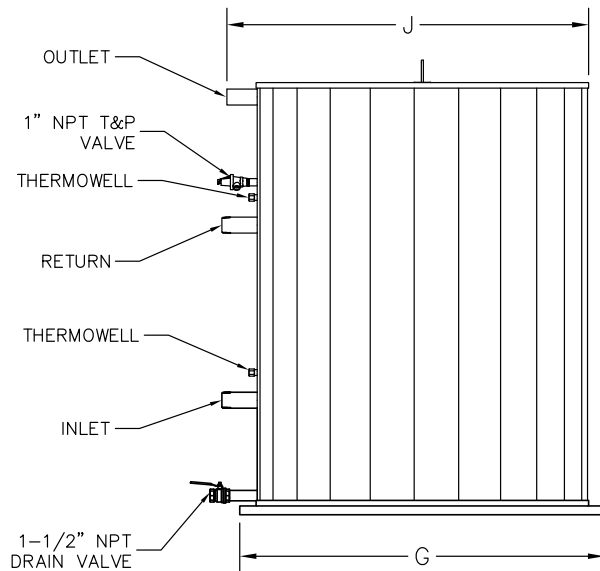
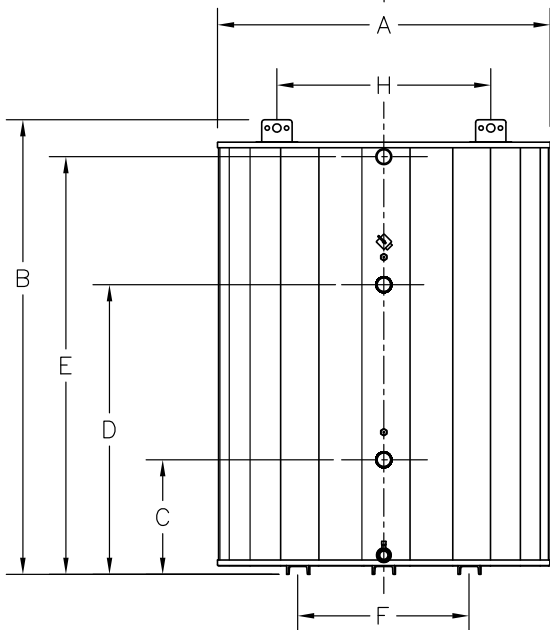
Back: Manway, process fitting (2 in) (both accessible)

Thermowell diameter 0.225", accepts 1/4" or 6 mm probes,

connection 1/2" NPT

3. Tank supplied with Watts LF140X9. ASME relief capacity

3,085,000 BTU/hr @ 150 psi CSA relief capacity 67,000 BTU/hr



Engineered Solutions

Lync • 425 Everman Pkway, St. 200 | Fort Worth, TX 76134 | (817) 335-9531
 Technical Support • (800) 433-5654 (ext. 3) • Mon-Fri, 8 am - 5 pm CST

© 2021 Lync